

# ADDENDUM

ZM68-00003-Abbotsford-UK-Correction

Knitting and Crochet Magazine 68

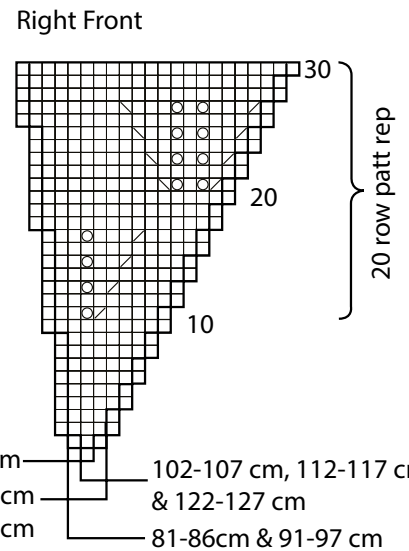
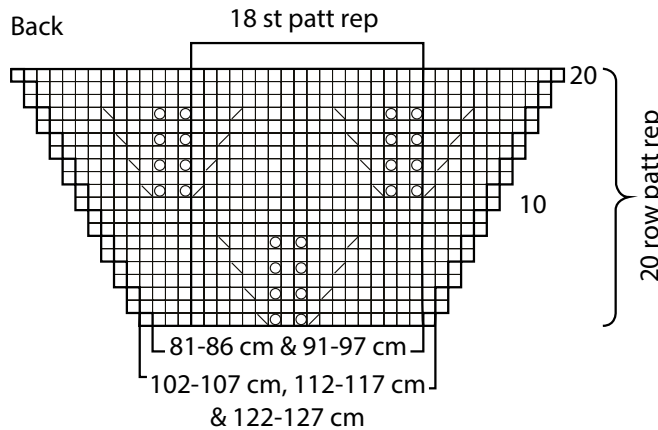
by Vibe Ulrik



Unfortunately a pattern error has occurred, we apologise for any inconvenience that this may have caused.

The original chart showed the increased stitches that you would work on the RS rows however we have altered the chart to show this increase on the WS row as that will be when you are to purl across that stitch. You are not doing an extra increase on this WS row we have just altered this to make following the chart slightly easier.

- Key**
- K on RS, P on WS
  - ◻ yfwd
  - ▣ K2tog
  - ◻ sl 1, K1, pss0



- Key**
- K on RS, P on WS
  - ◻ yfwd
  - ▣ K2tog
  - ◻ sl 1, K1, pss0

